

Pleasure Boat Impellers

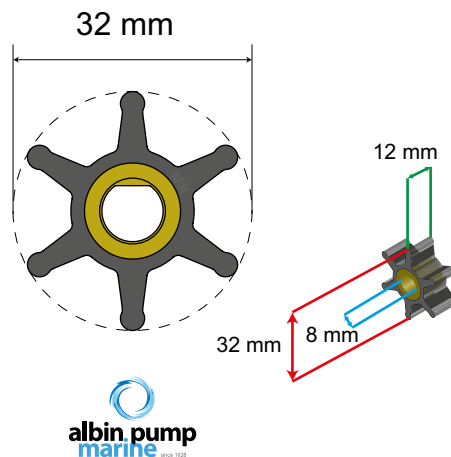
A wide range of suitable replacement impellers for most engine cooling pumps and other FIP applications. The Albin Pump Marine impellers are one of the best impellers in the world. 2 year limited warranty. ISO 9001 quality guaranteed.

Pleasure Boat Impellers

APM: 06-01-001

Replaces the following impellers:

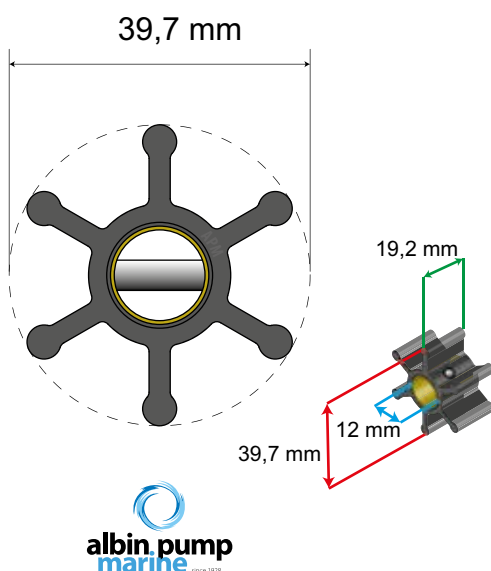
| | |
|--------|--------------|
| Jabsco | 1414-001 |
| Yanmar | 124170-42070 |



APM: 06-01-002

Replaces the following impellers:

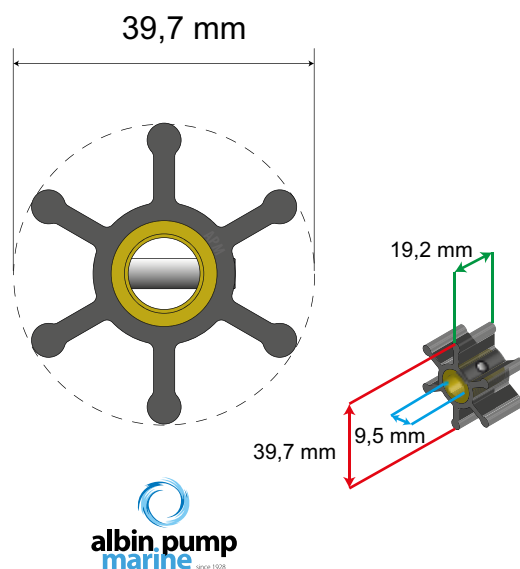
| | |
|-------------|-----------|
| Jabsco | 22405-001 |
| Johnson | 09-808B-1 |
| Volvo Penta | 875583 |



APM: 06-01-003

Replaces the following impellers:

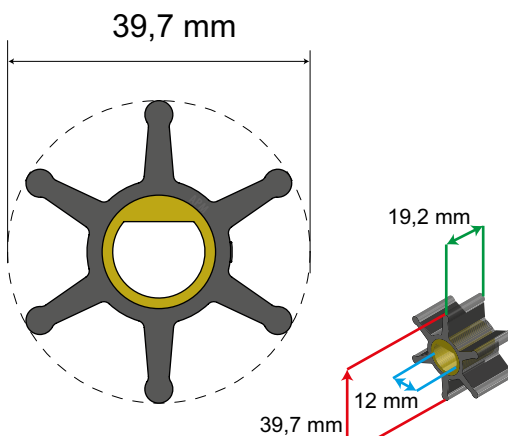
| | |
|-------------|--------------|
| Jabsco | 4528-0001 |
| Johnson | 09-806B-1 |
| Sherwood | 9979K |
| Volvo Penta | 803729 |
| Yanmar | 104211-42070 |



Pleasure Boat Impellers

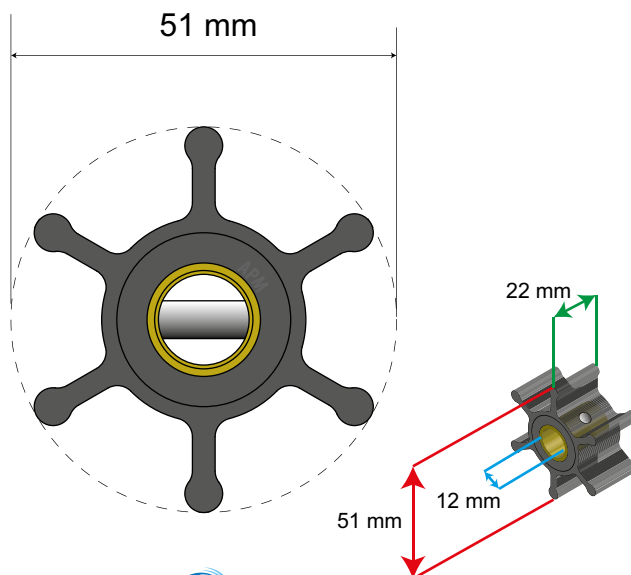
APM: 06-01-004

Replaces the following impellers:
 Sherwood 08000K



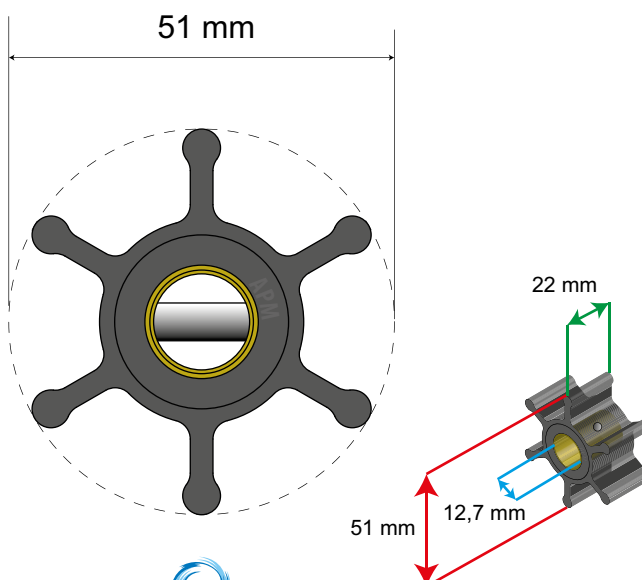
APM : 06-01-005

Replaces the following impellers:
 Jabsco 653-0001
 Johnson 09-810B-1



APM: 06-01-006

Replaces the following impellers:
 Jabsco 673-0001
 Johnson 09-1026B-1
 Volvo Penta 3593659

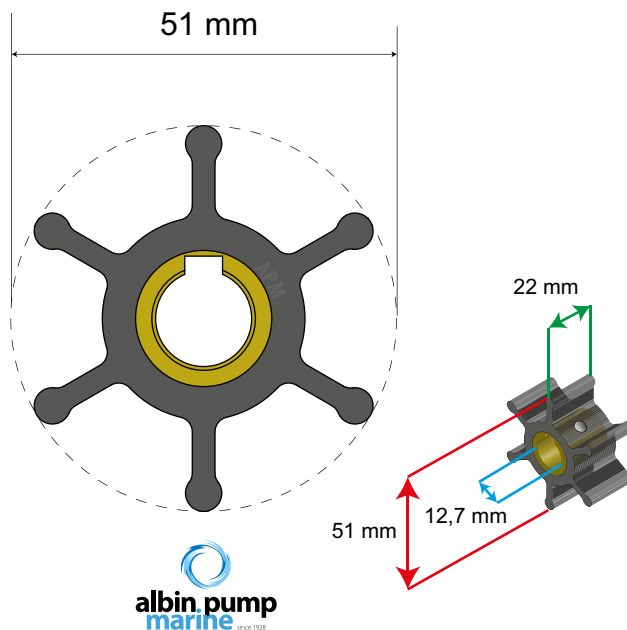


Pleasure Boat Impellers

APM: 06-01-007

Replaces the following impellers:

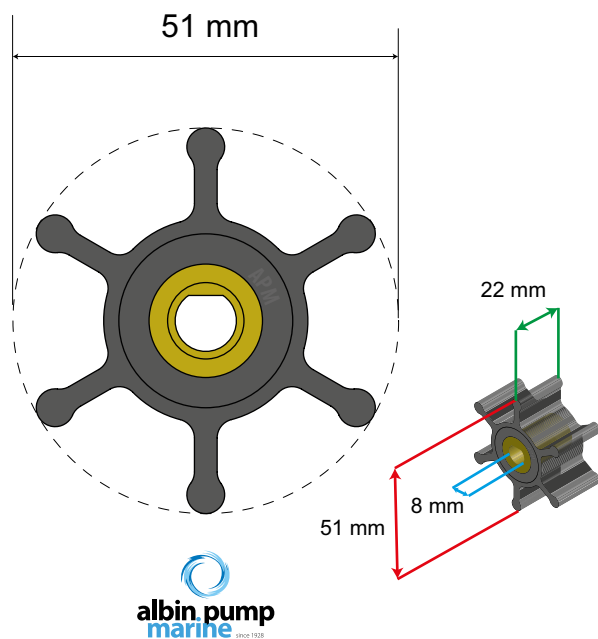
Jabsco 22799-0001
Yanmar 124223-42091



APM: 06-01-008, 06-01-009

Replaces the following impellers:

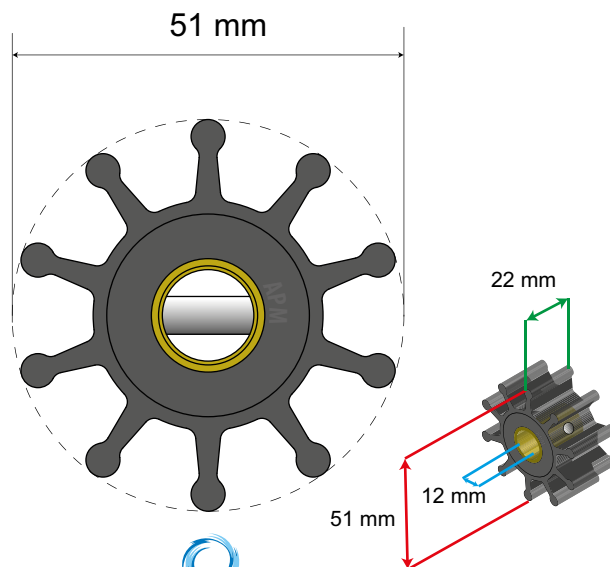
| | | |
|-------------|---------|-----------|
| (06-01-008) | Jabsco | 6303-0001 |
| | Johnson | 09-824P-1 |
| (06-01-009) | Jabsco | 6303-0003 |
| | Johnson | 09-824P-9 |



APM: 06-01-010

Replaces the following impellers:

Jabsco 18653-0001

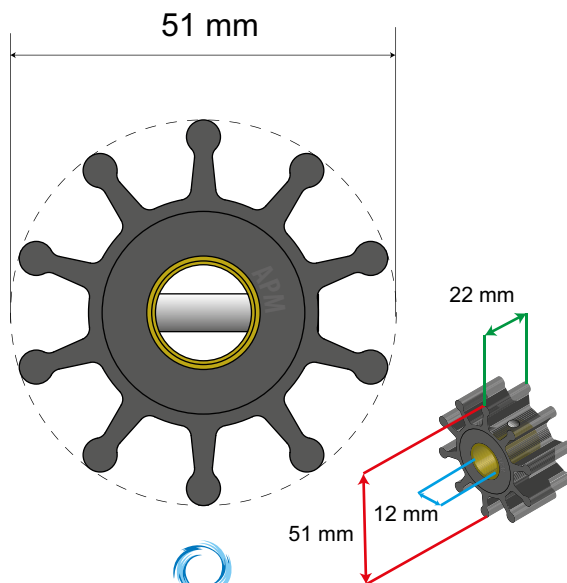


Pleasure Boat Impellers

APM: 06-01-011

Replaces the following impellers:

Jabsco 18673-0001



APM: 06-01-012

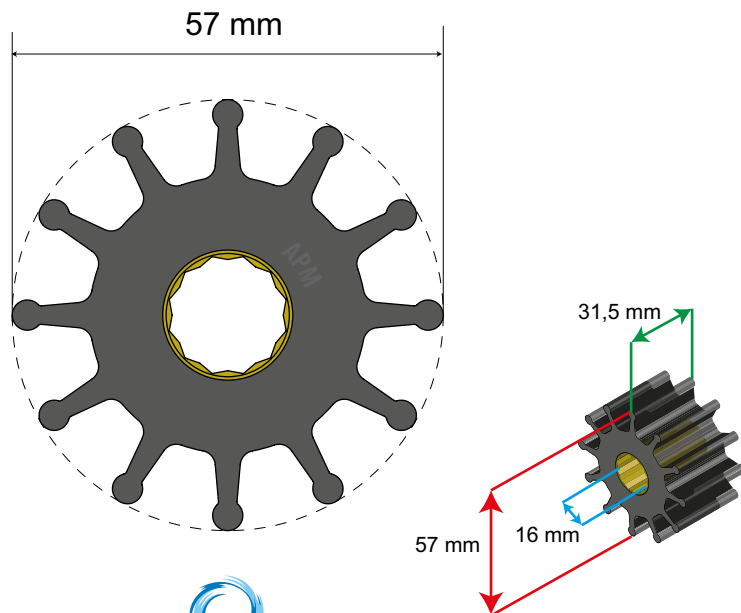
Replaces the following impellers:

Jabsco 1210-0001

Johnson 09-1027B-1

Volvo Penta 825940

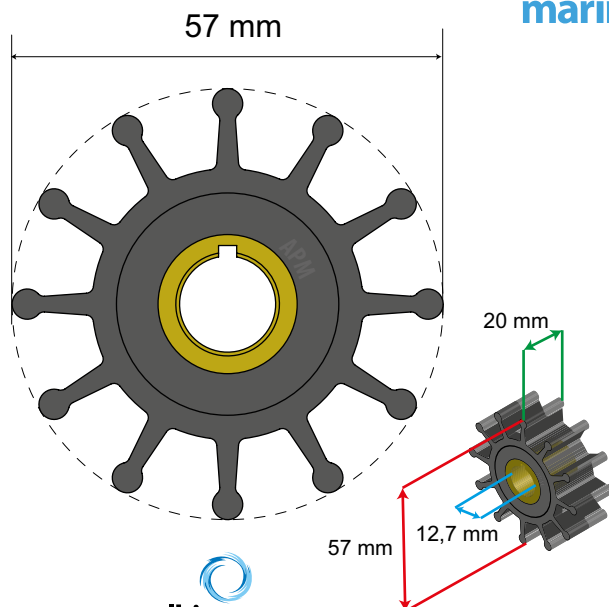
Yanmar 129470-42530



APM: 06-01-013

Replaces the following impellers:

Sherwood 10077K

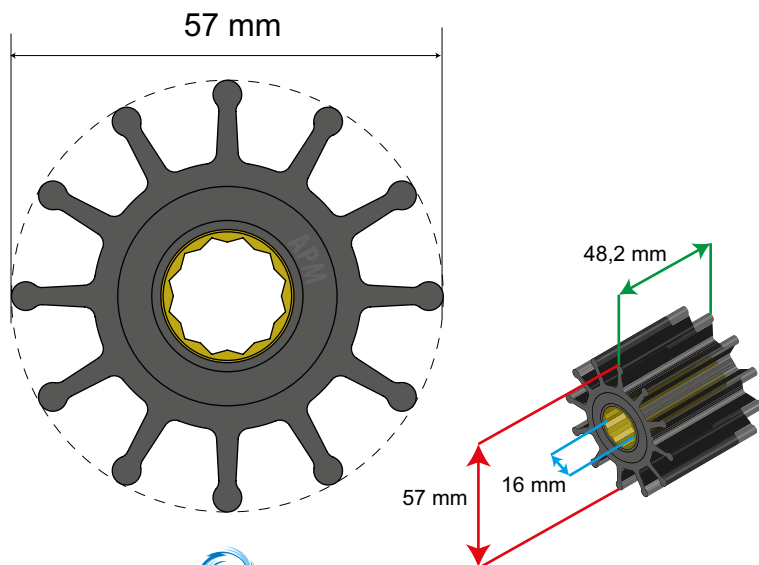


Pleasure Boat Impellers

APM: 06-01-014

Replaces the following impellers:

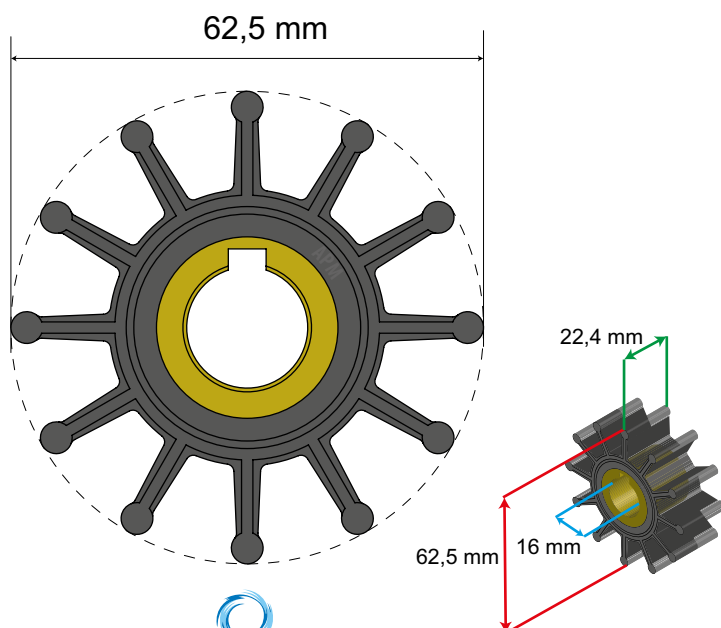
- Jabsco 13554-0001
- Johnson 09-812B-1
- Volvo Penta 3588914



APM: 06-01-015

Replaces the following impellers:

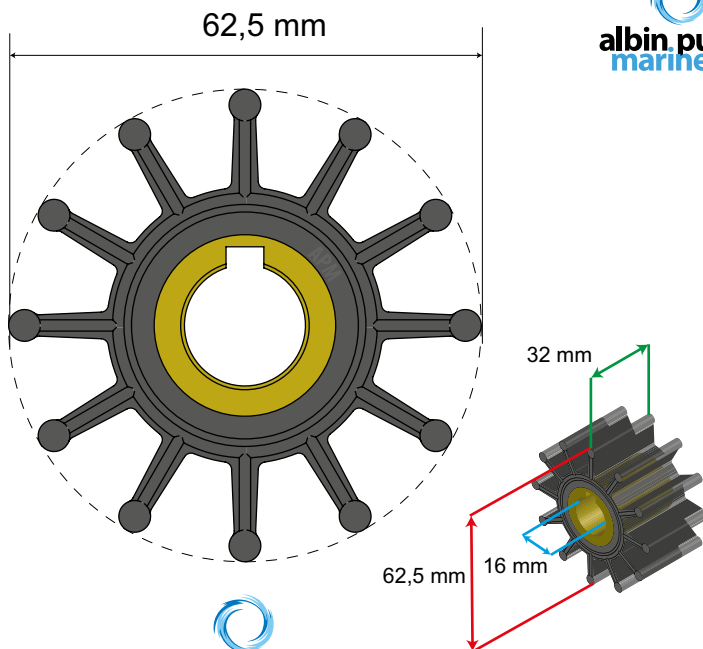
- Sherwood 09000K



APM: 06-01-016

Replaces the following impellers:

- Jabsco 18838-0001
- Johnson 09-701B-1
- Sherwood 9959K

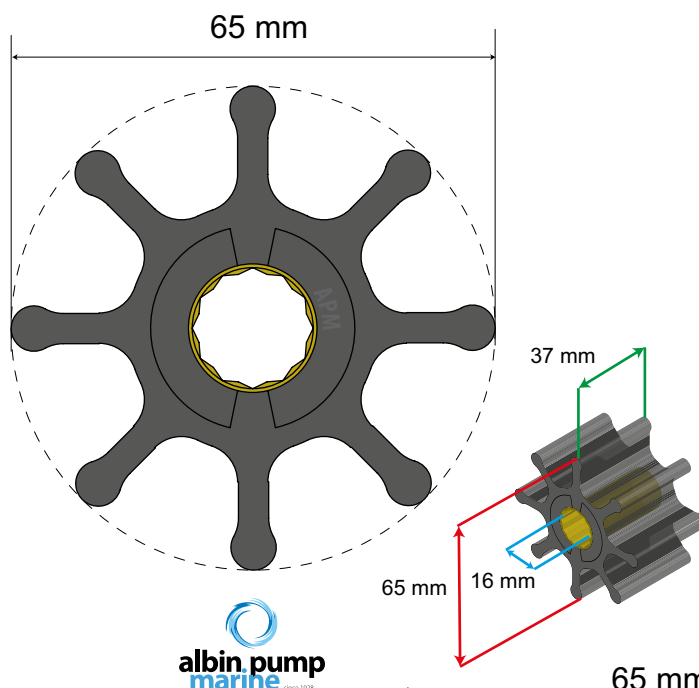


Pleasure Boat Impellers

APM: 06-01-017

Replaces the following impellers:

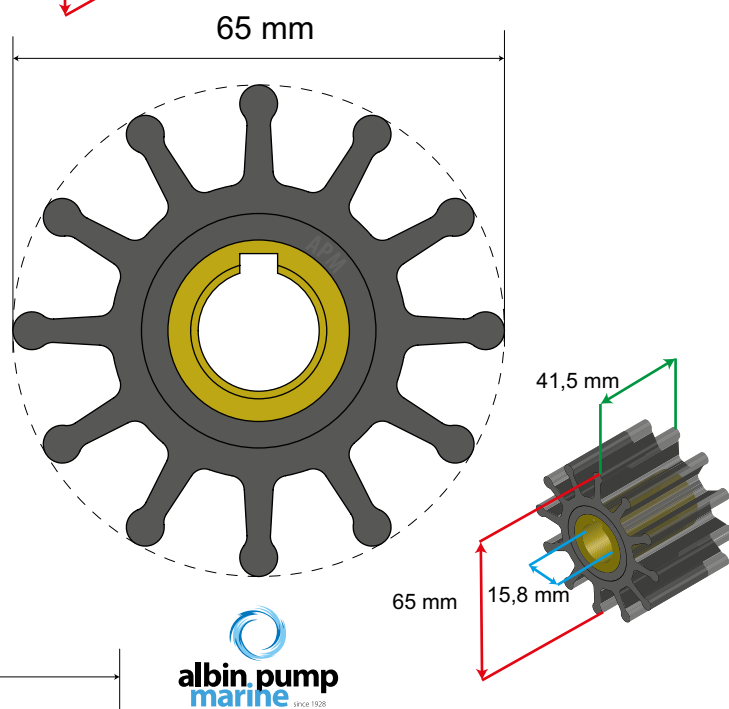
Jabsco 11979-0001
Yanmar 122610-42021



APM: 06-01-018

Replaces the following impellers:

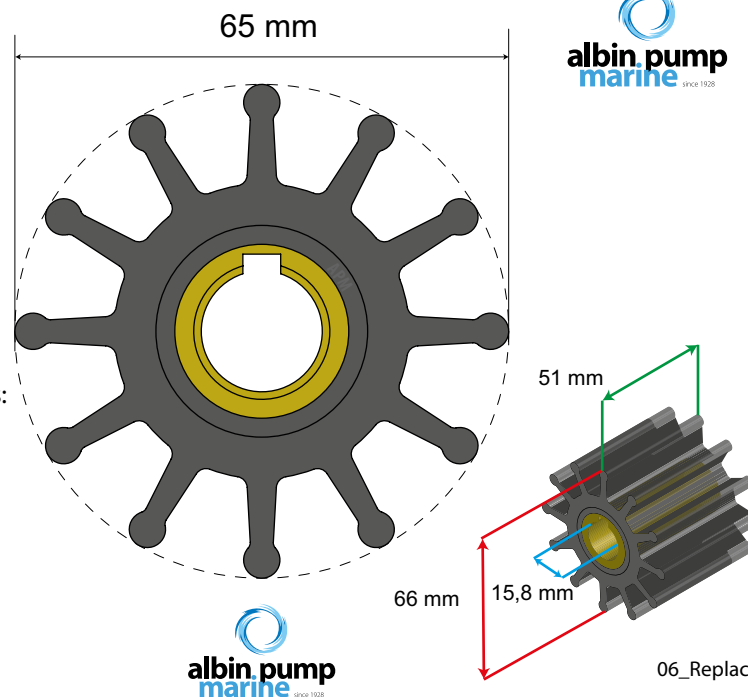
Jabsco 18948-0001
Johnson 09-702B-1
Sherwood 10615K



APM: 06-01-019

Replaces the following impellers:

Jabsco 18327-0001
Sherwood 15000K

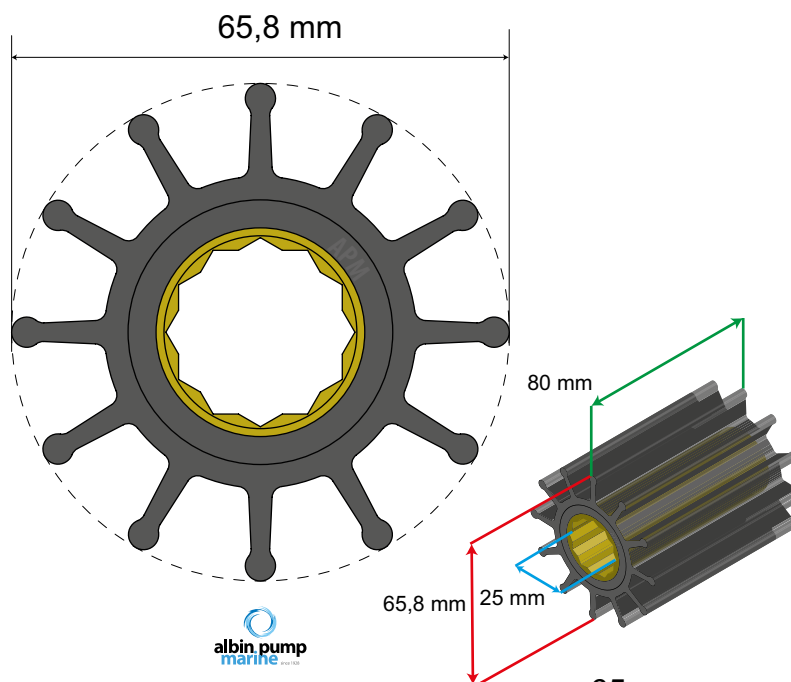


Pleasure Boat Impellers

APM: 06-01-020

Replaces the following impellers:

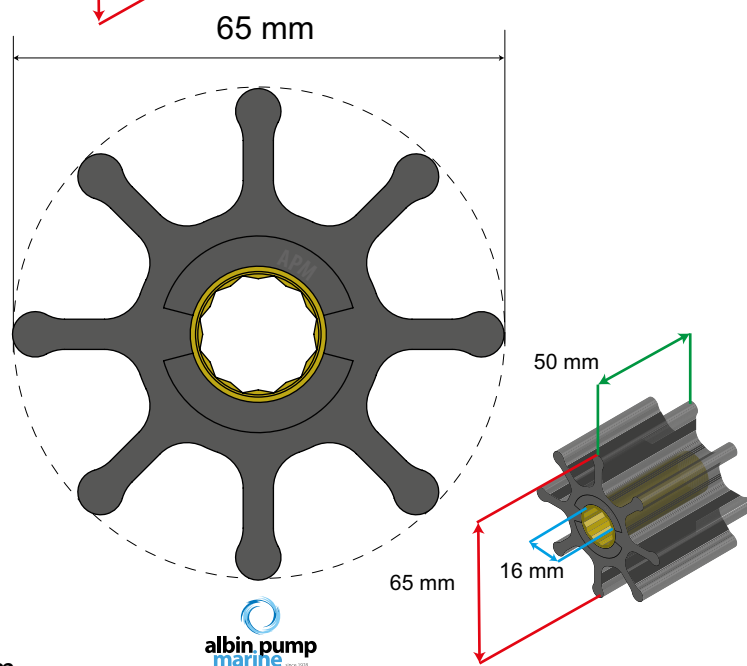
| | |
|-------------|--------------|
| Johnson | 09-821BT-1 |
| Volvo Penta | 876771 |
| Yanmar | 119574-42550 |



APM: 06-01-021

Replaces the following impellers:

| | |
|-------------|--------------|
| Jabsco | 920-0001 |
| Johnson | 09-1028B-1 |
| Sherwood | 18200K |
| Volvo Penta | 877061 |
| Yanmar | 123325-42020 |

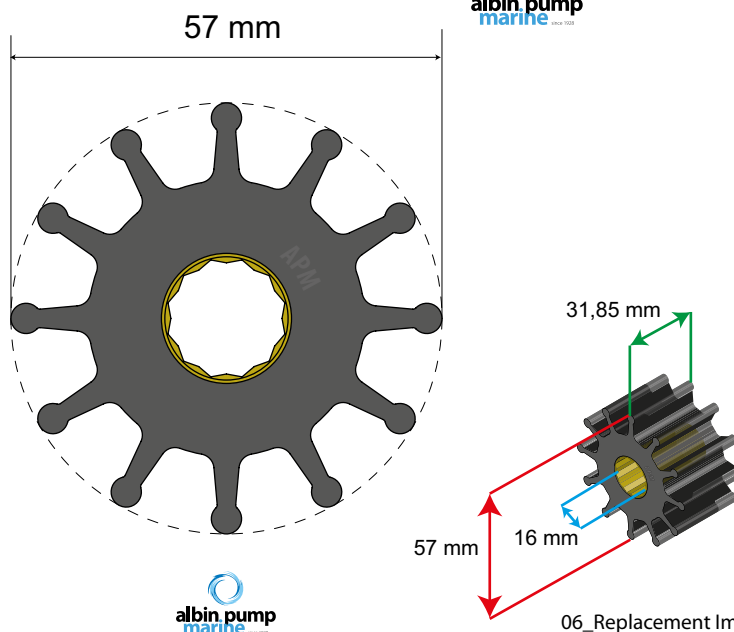


APM : 06-01-037

0,35 mm wider than the impeller 06-01-012

Replaces the following:

| | |
|-------------|-------------|
| Johnson | 09-1027B-10 |
| Volvo Penta | 21213650 |



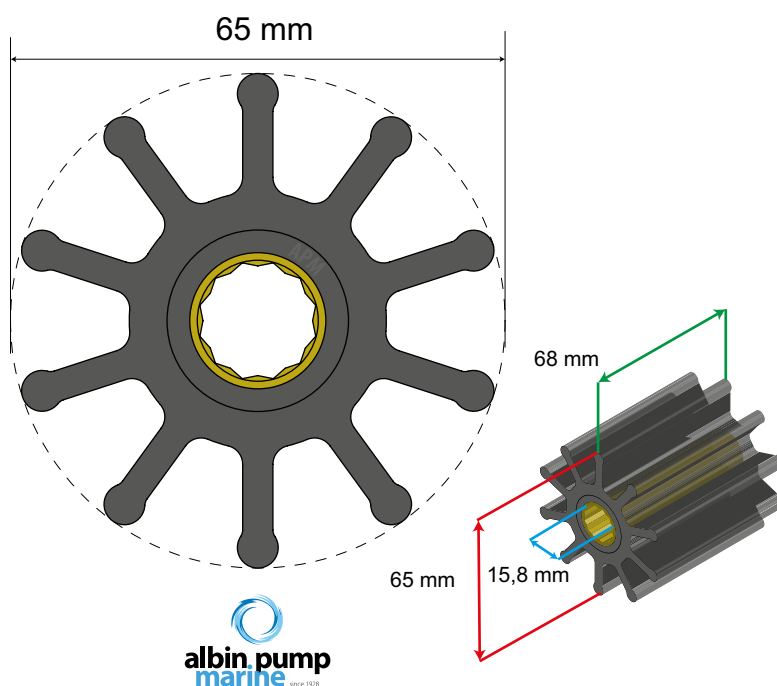
Commercial Boat Impellers

Commercial Boat Impellers

APM: 06-02-022

Replaces the following impellers:

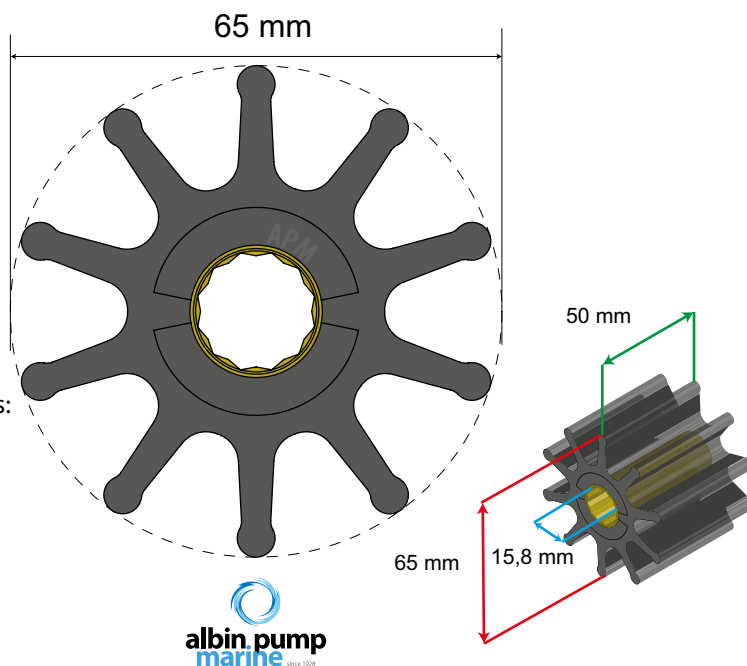
| | |
|--------|------------|
| Jabsco | 09-821BT-1 |
| JMP | 7420-01 |



APM: 06-02-023

Replaces the following impellers:

| | |
|-------------|------------|
| Jabsco | 17937-0001 |
| JMP | 7426-01 |
| Volvo Penta | 3588475 |

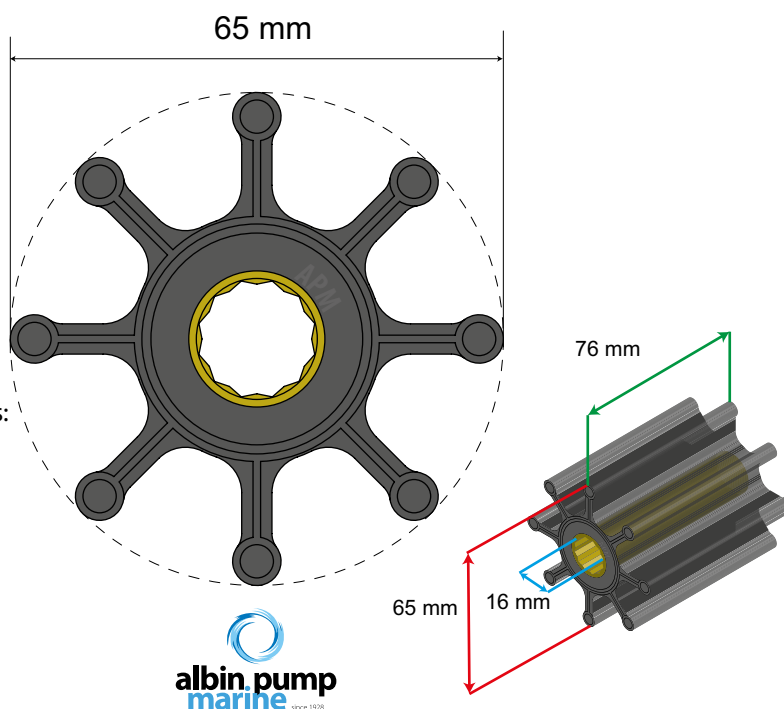


Commercial Boat Impellers

APM: 06-02-024

Replaces the following impellers:

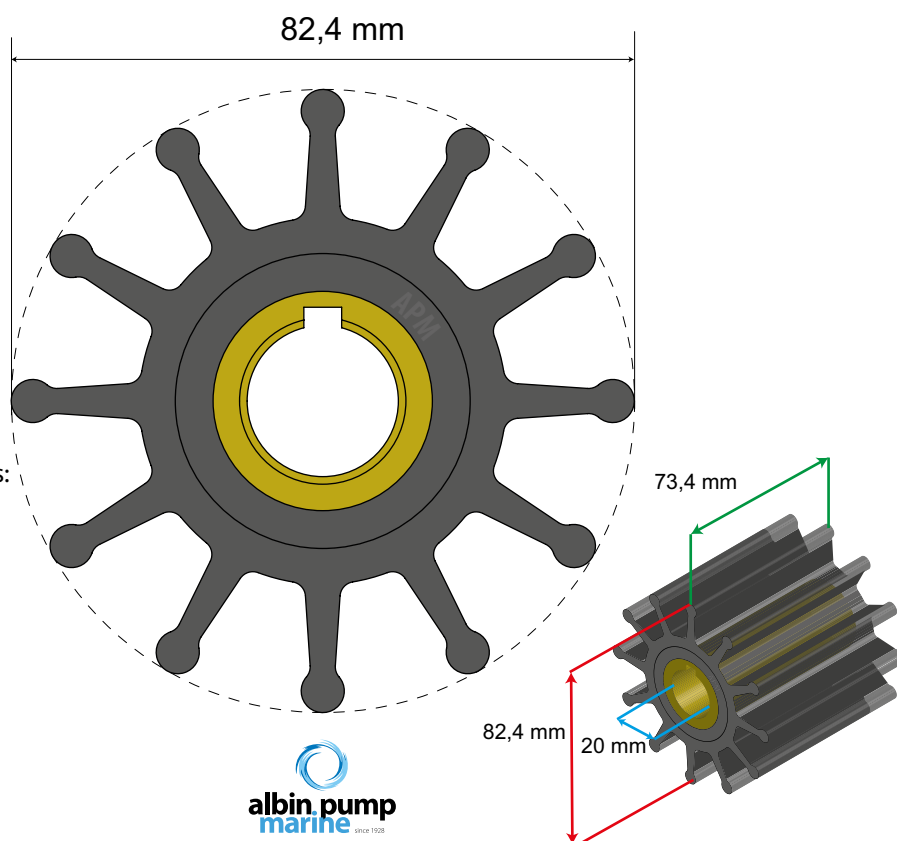
| | |
|-------------|------------|
| Jabsco | 17018-0001 |
| JMP | 7446-01 |
| Volvo Penta | 3593573 |



APM: 06-02-025

Replaces the following impellers:

| | |
|----------|------------|
| Jabsco | 18958-0001 |
| JMP | 7600-01 |
| Johnson | 09-704BT-1 |
| Sherwood | 17000K |

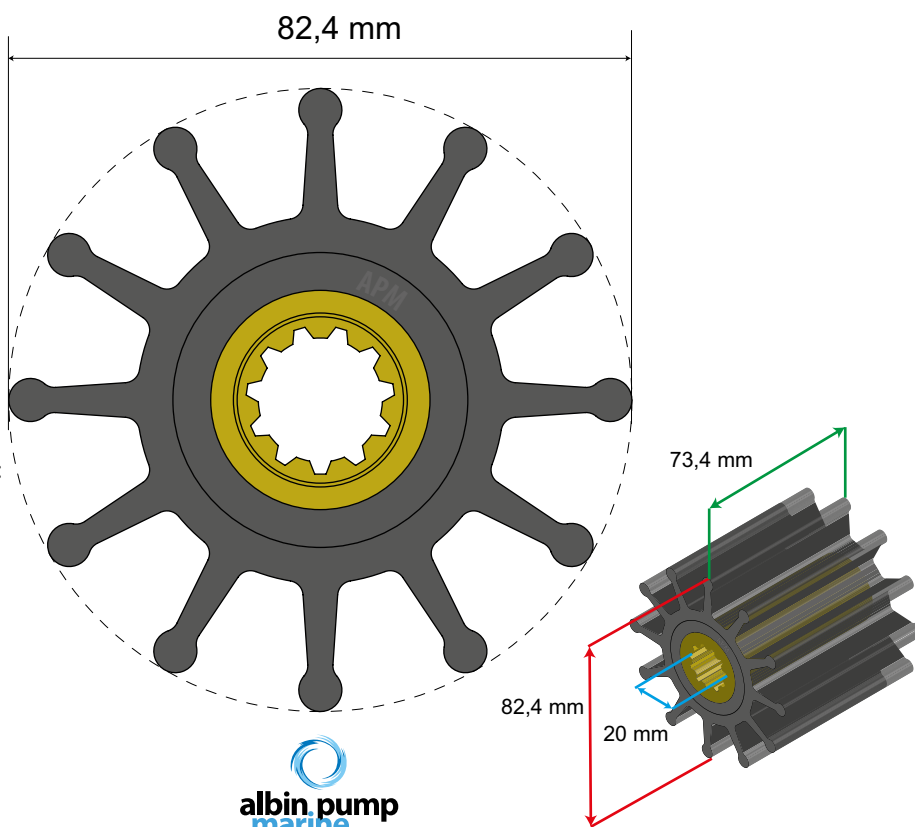


Commercial Boat Impellers

APM: 06-02-026

Replaces the following impellers:

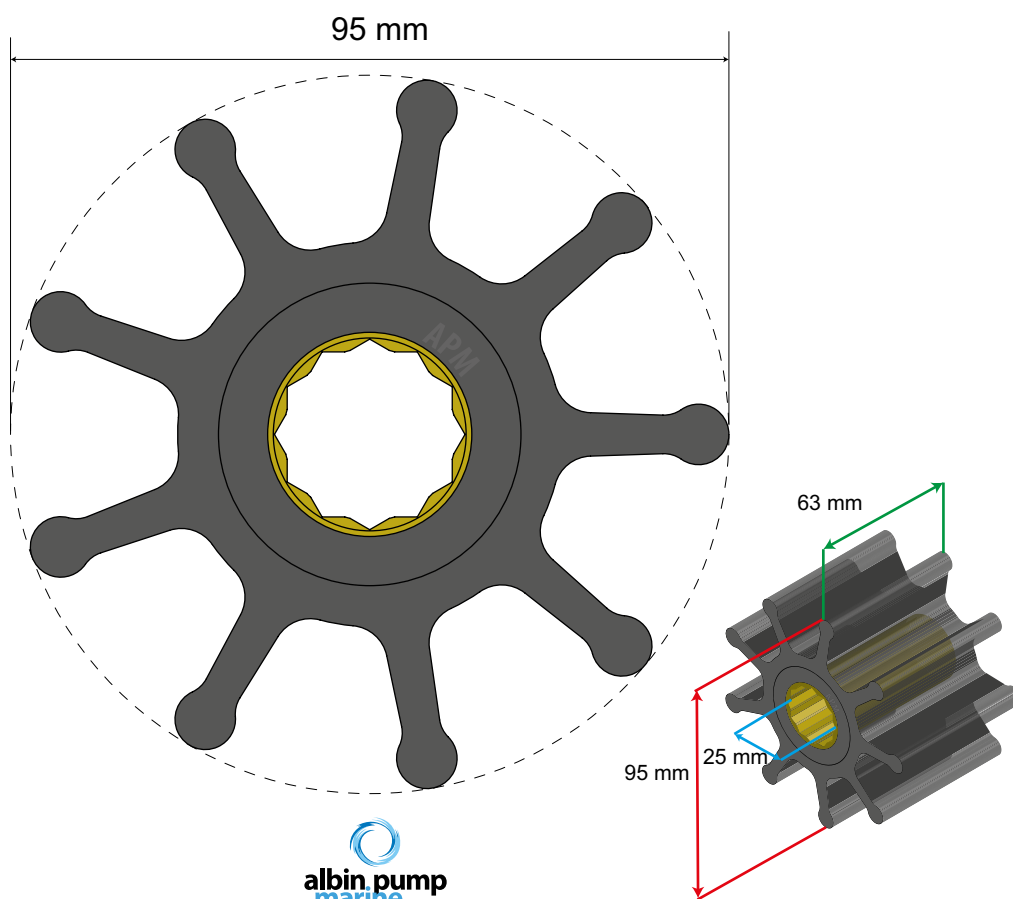
- JMP 7608-01
- Sherwood 27000K



APM: 06-02-027

Replaces the following impellers:

- Jabsco 836-0001
- JMP 8000-01
- Johnson 09-1029B

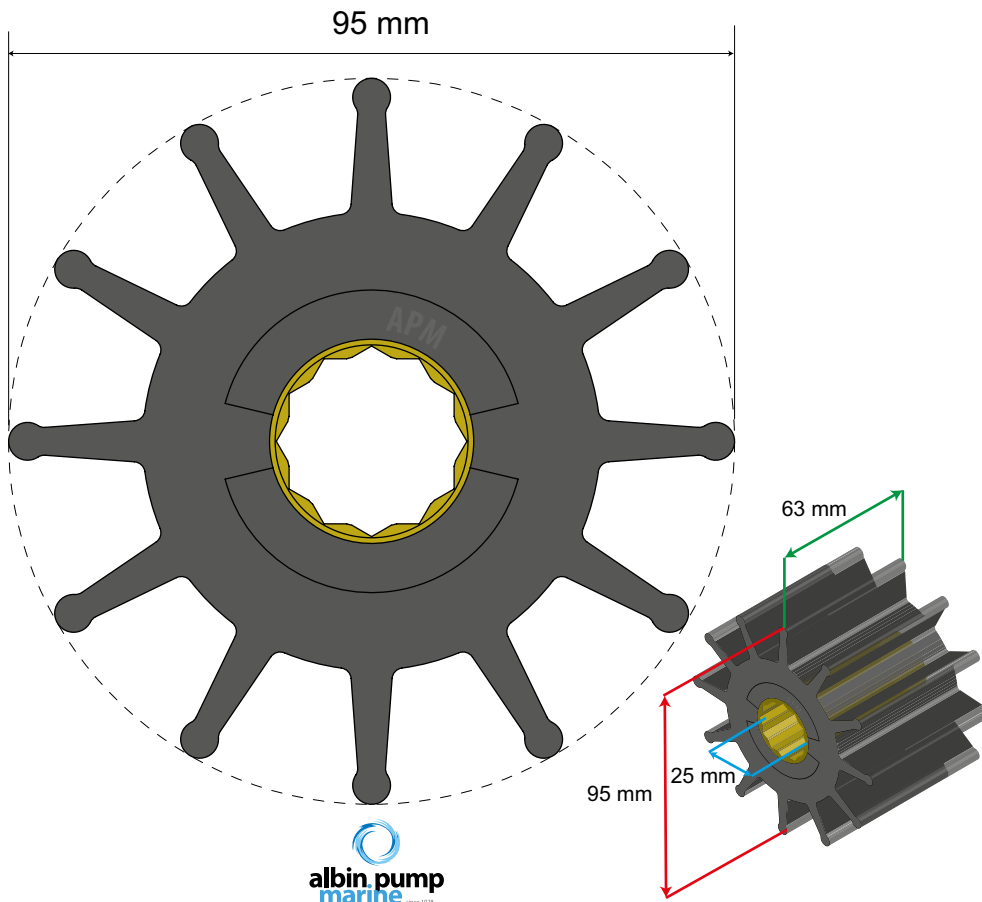


Commercial Boat Impellers

APM: 06-02-028

Replaces the following impellers:

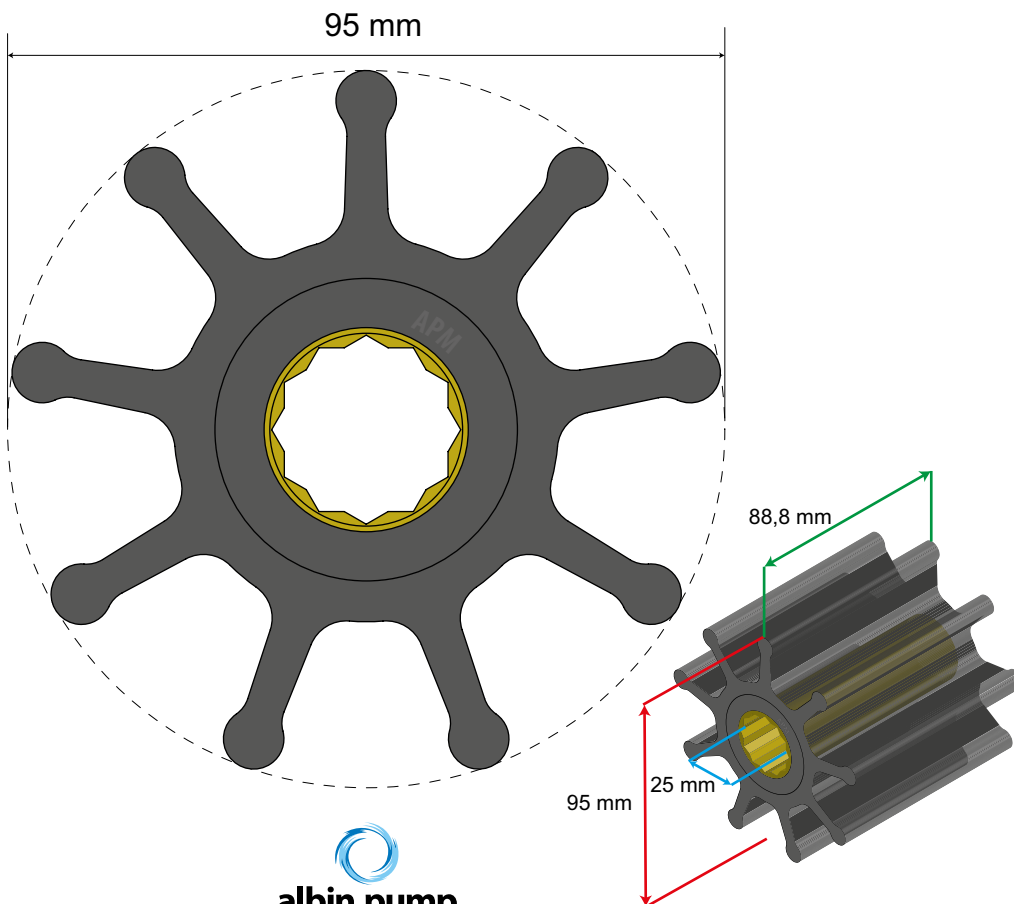
- Jabsco 17935-0001
- JMP 8100-01
- Johnson 09-819B
- Volvo Penta 875660



APM: 06-02-029

Replaces the following impellers:

- Jabsco 6760-0001
- JMP 8200-01
- Johnson 09-802B
- Volvo Penta 842857
- Yanmar 125613-42762

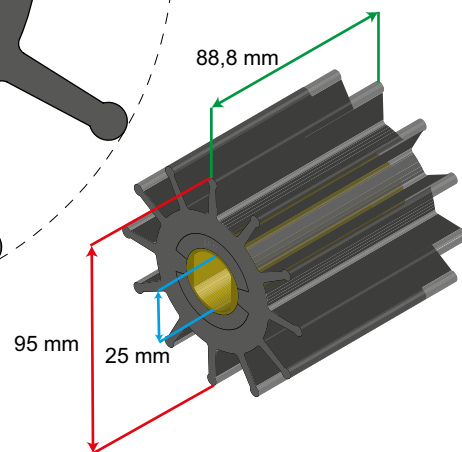
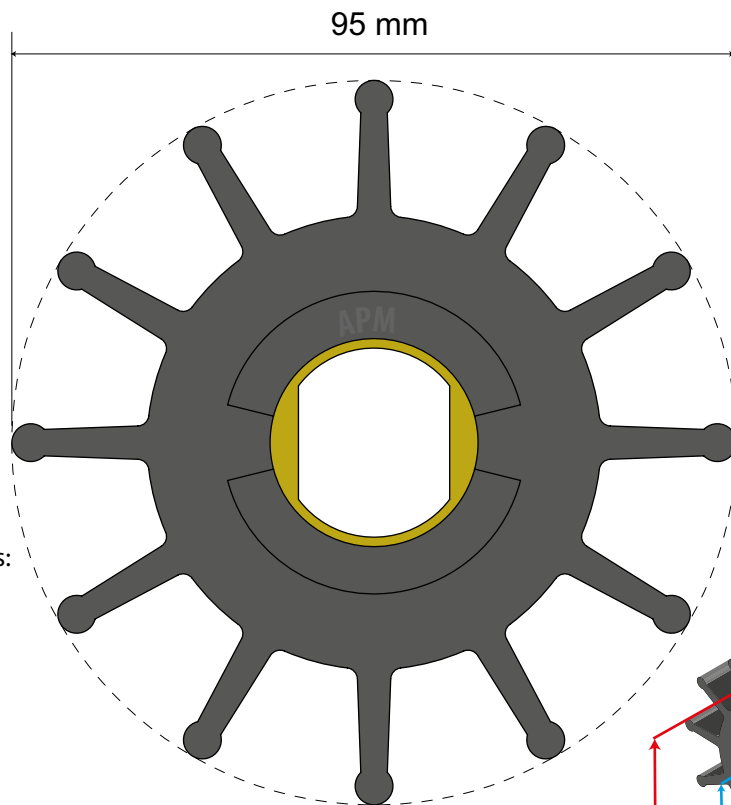


Commercial Boat Impellers

APM: 06-02-030

Replaces the following impellers:

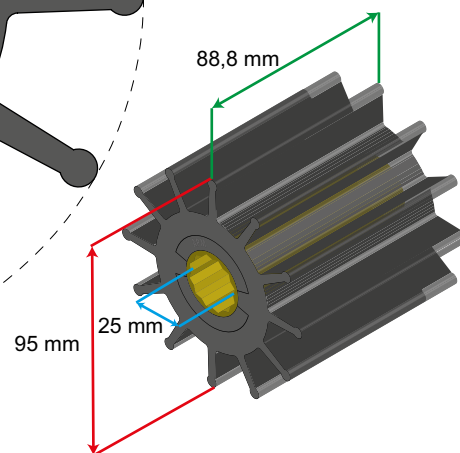
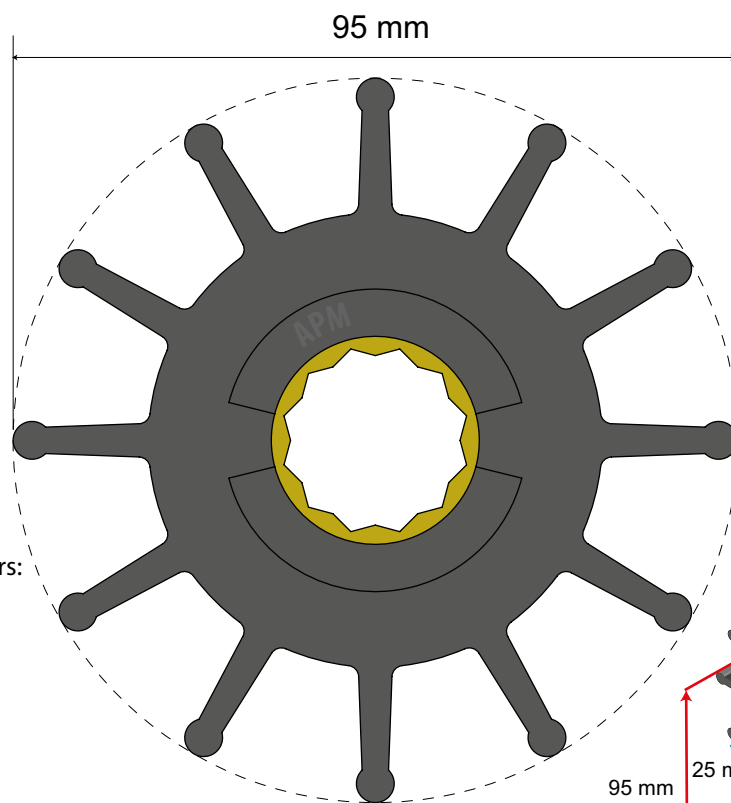
| | |
|--------|------------|
| Jabsco | 17370-0001 |
| JMP | 8300-01 |



APM: 06-02-031

Replaces the following impellers:

| | |
|-------------|------------|
| Jabsco | 17936-0001 |
| JMP | 8301-01 |
| Johnson | 09-814B |
| Volvo Penta | 875660 |

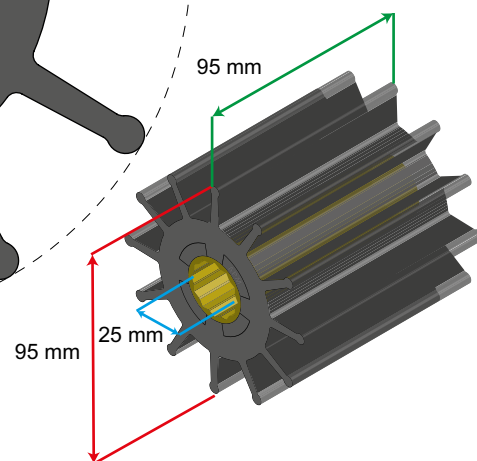
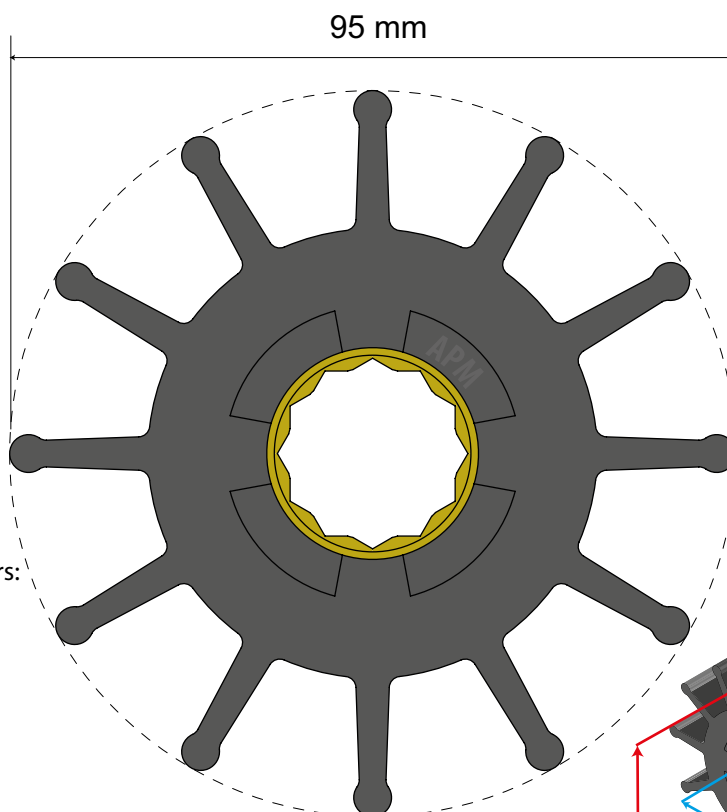


Commercial Boat Impellers

APM: 06-02-032

Replaces the following impellers:

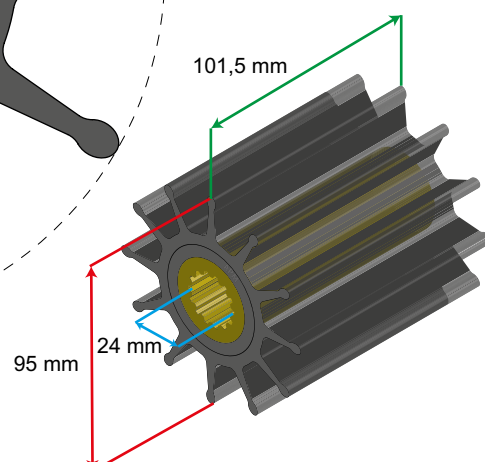
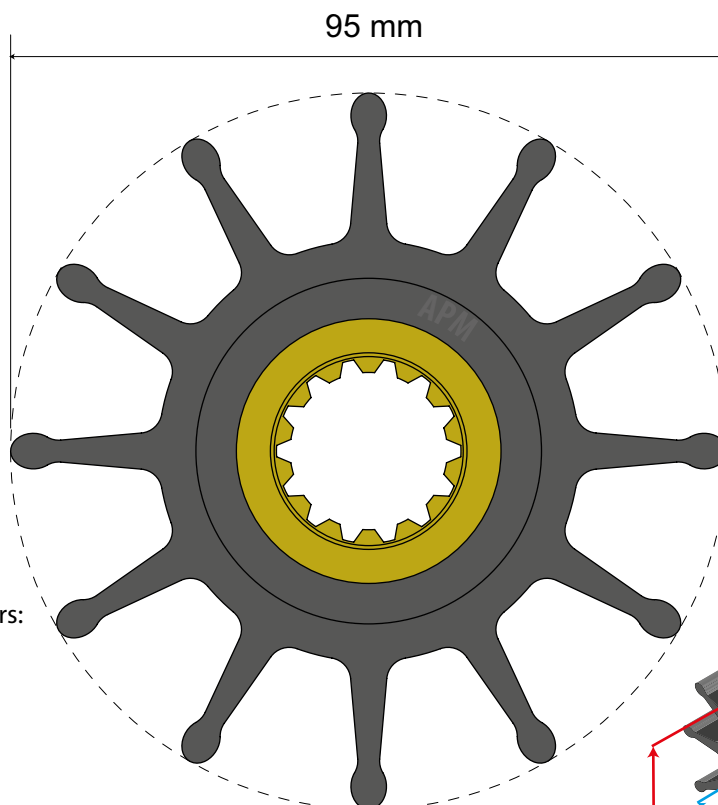
- Jabsco 17938-0001
- JMP 8326-01
- Volvo Penta 3830459



APM: 06-02-033

Replaces the following impellers:

- JMP 8350-01
- Johnson 09-705BT-01
- Sherwood 18000K

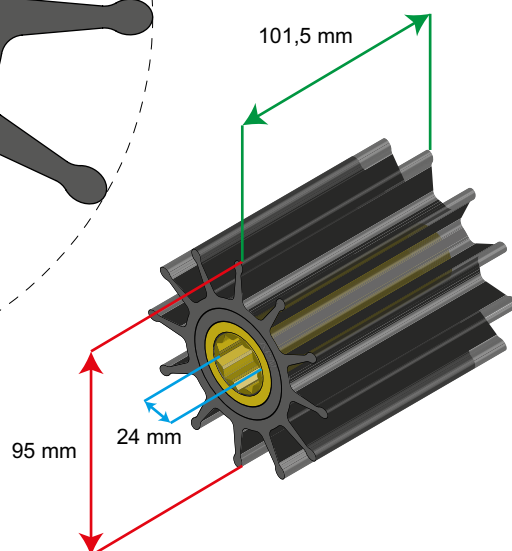
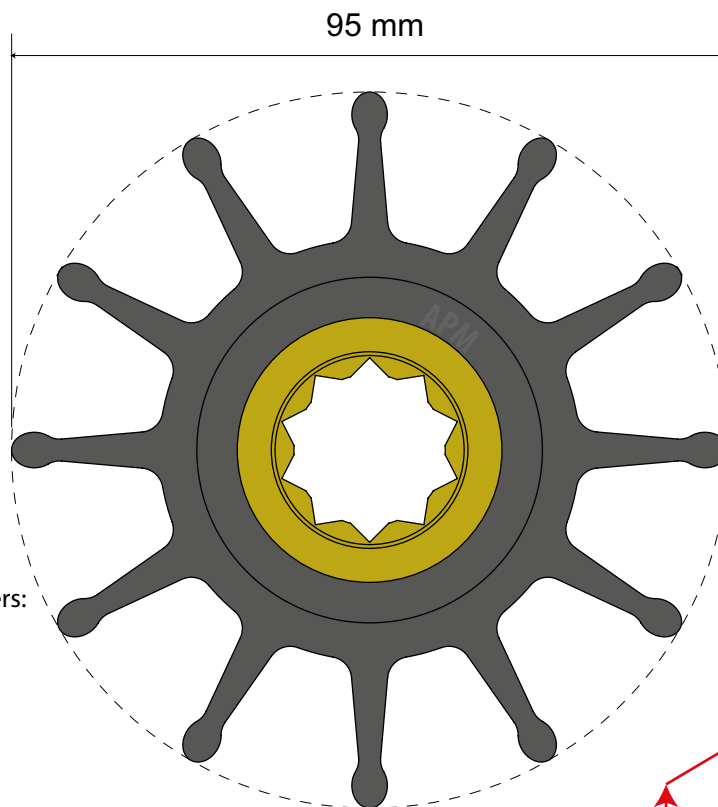


Commercial Boat Impellers

APM: 06-02-034

Replaces the following impellers:

- JMP 8359-01
- Sherwood 29000K



Special Impellers



Special Impellers

| Part no. | Description | Replaces the following impellers |
|-----------|--|--|
| 06-04-036 | Impeller for ballast pump PN 04-04-013 and PN 04-04-014, special material MC19 | Johnson 09-824P-1EZ Jabsco 6303-007-P |

Impeller Tools



Out-Peller Universal Tool

Impeller removal tool

- For most common impeller sizes
- Very durable impeller proven to work

| Part no. | Description |
|-----------|-----------------------|
| 06-03-035 | Impeller removal tool |



In-Peller Tool

Complete impeller insert kit for most common impeller sizes. Makes fitting the impeller in the pump body very easy, especially in tight spaces by using only one hand. A must for any professional engine mechanic

- 5 different insert tools with diameter 40 mm, 51 mm, 57 mm, 65 mm and 95 mm

| Part no. | Description |
|-----------|--------------------------|
| 06-03-036 | Impeller insertion tools |